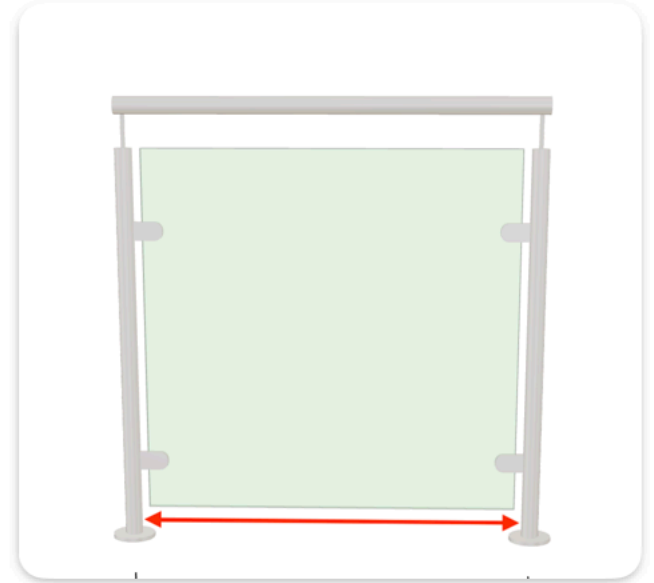


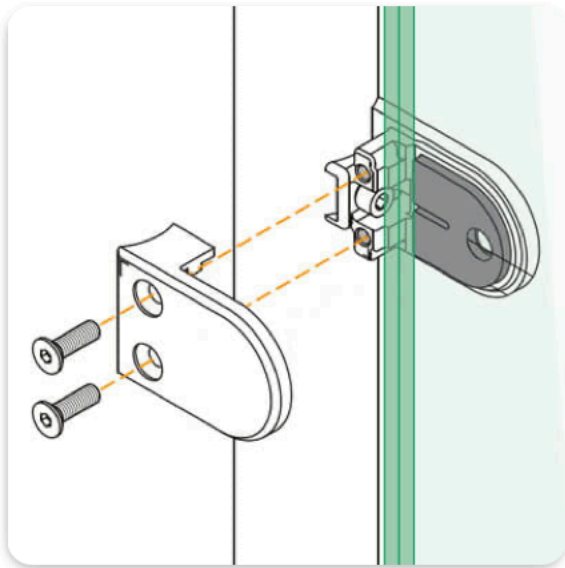
## Step 5: Measuring for Glass

1. Measure from **post to post above the baseplate**, taking measurements from the **inside bottom edge** of each post.
2. We will make the **necessary deductions** to allow for glass clamps and spacing.



## Step 6: Installing the Glass Panels

1. Remove the **face plates** of each clamp using a **4mm Allen key**.
2. Insert the **rubber gaskets** into both the back and face of each clamp.
3. Place a **wooden spacer** (or other non-abrasive support) under the glass to protect it during installation.
4. Position the glass between the clamps.
5. Replace the clamp faces and **insert screws by hand**.
6. Once aligned, **tighten the screws** using the 4mm Allen key.
  - Ensure the clamps are tight enough to **prevent the glass from sliding**.



## Step 7: Handrail Installation

1. Fit the correct **saddle** to the top of each post.
2. Place the **handrail** along the saddles and check alignment.
3. Mark the **drill hole positions** along the full length of the rail.
4. Rotate the rail and **drill 5mm holes** at each marked point.
5. Reposition the handrail so the holes line up with the saddles.
6. Insert the **supplied self-tapping screws** and secure in place.



## Step 8: Final Clean Down

1. Clean all **stainless steel components** using a suitable cleaner (available from us if required).
  - Recommended **3 times per year** for maintenance.
2. Clean the **glass panels** with an appropriate glass cleaner. (available from us if required).
3. **IMPORTANT:** Ensure all **metal swarf and shards** from drilling are completely removed to prevent corrosion or surface damage.